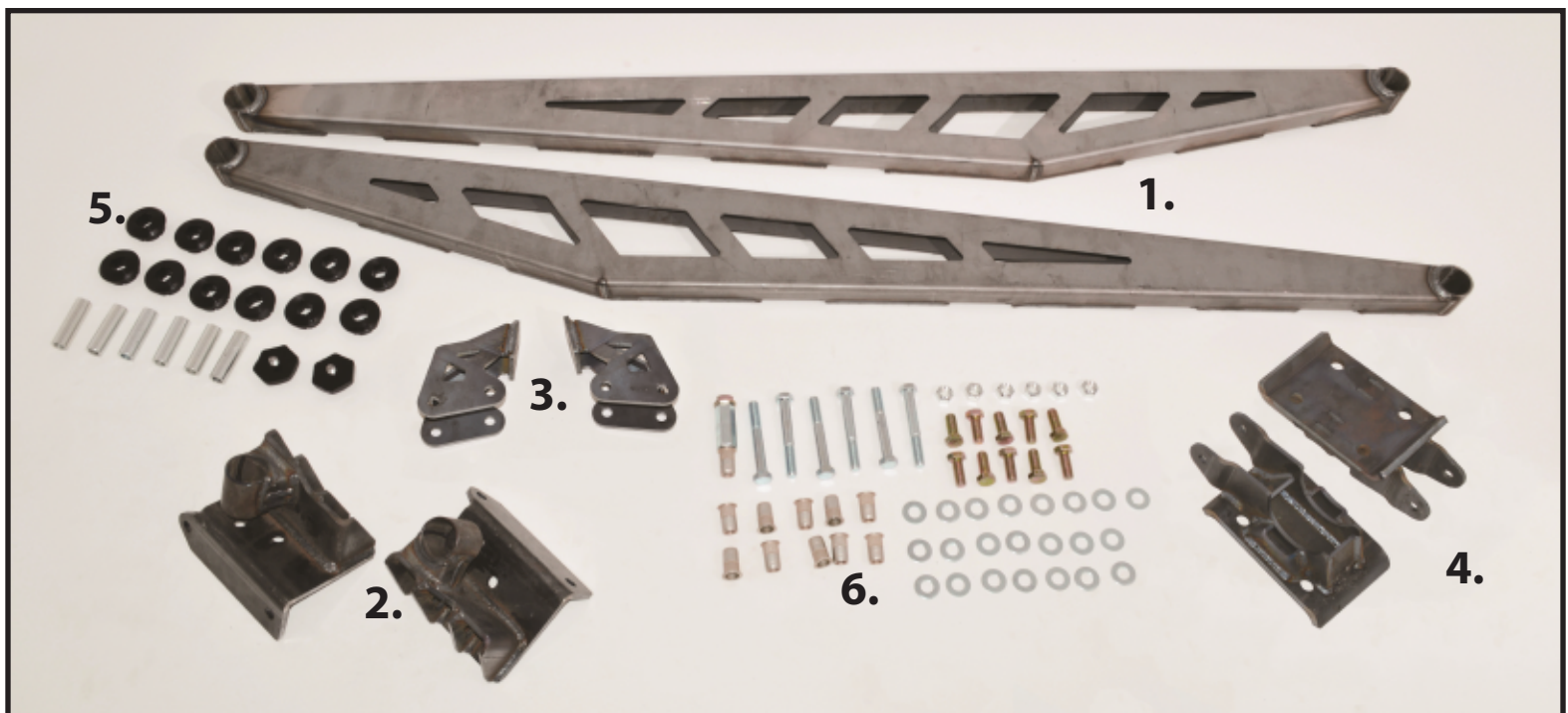


**READ THESE ENTIRE INSTRUCTIONS BEFORE STARTING ANYTHING**  
**2002-19 GM HD TRUCK (#52018 / 52318)**  
**TRACTION BAR INSTRUCTIONS**

**\*\*\* NOTE\*\*\* Before powder-coating, painting, or installing kit.  
Be sure that all parts are in the boxes.**



**Kit Includes:**

- |  |   |
|--|---|
| <b>1. Traction Bars (2)</b>              | <b>5. Bushings, Sleeves,<br/>&amp; Bump Stops</b> |
| <b>2. Front Frame Shackle Mounts (2)</b> | <b>6. Hardware &amp;<br/>Cinch Tool</b>           |
| <b>3. Front Shackles (2)</b>             |   |
| <b>4. Rear Axle Mounts (2)</b>           |   |



559-226-8196  
4603 E. VINE AVE.  
FRESNO, CA 93725  
[www.mcgaughys.com](http://www.mcgaughys.com)

**READ THESE ENTIRE INSTRUCTIONS  
BEFORE STARTING ANYTHING**

- If you are the installer only, and not the owner of the vehicle, please make sure the owner of the vehicle gets these instructions. They contain very important information about the lift kit, maintenance, and warranty.
- Before moving forward with installation, please layout all parts from boxes and ensure everything is present. If any parts are missing, please contact McGaughy's Suspension immediately at 559-226-8196.
- If you alter the finish of any of the provided components, like zinc plating, chroming, or powder-coating, which can cause damage to the strength and structure of the metal, any warranties will be null and void.
- If any components are ground on or modified in any way, then no returns or exchanges will be accepted and any warranties will be null and void.
- NO welding is required to install any part of this lift kit. Do not weld any components.
- Over-sized tires and heavier wheels can cause premature wear on factory and aftermarket components like ball joints, bushings, tie-rod ends, wheel bearings, idler arms, drive-lines, etc.... You may need to replace / install new components sooner than factory recommendations based on the tires and wheels you choose. Please note that the heavier and wider wheels and tires combined with aggressive driving (off-road and on highways) will cause more wear on ALL moving parts, factory and aftermarket. Especially when vehicle is in 4wd or Auto-4wd / AWD modes.



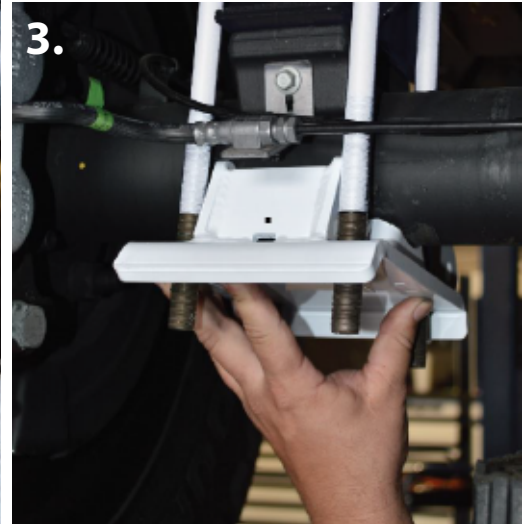
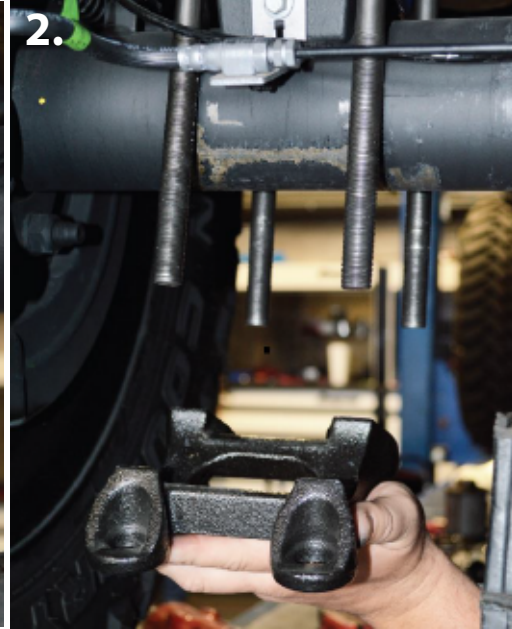
**McGAUGHY'S**  
S U S P E N S I O N   P A R T S

559-226-8196  
4603 E. VINE AVE.  
FRESNO, CA 93725  
[www.mcgaughys.com](http://www.mcgaughys.com)

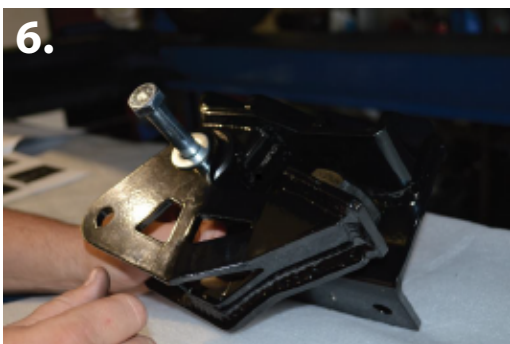
## WARRANTY INFORMATION

- McGaughy's warrants all **McGaughy's** products against manufacturer's defects in materials or workmanship for a period of **ONE-YEAR** from the date of original purchase. All McGaughy's spindles carry a **LIFETIME** warranty against manufacturer's defects.
- Warranty will not extend to any product or part there in, that has been improperly installed, abused, or neglected
- McGaughy's will not warranty any product(s) that were modified in any way. Check fit all products prior to custom painting, powder-coating, or any form of fabrication (sanding, drilling, painting, chroming, etc).
- There are **NO WARRANTIES** neither expressed nor implied for powder-coating on any McGaughy's products.
- McGaughy's is not responsible for damages and/or warranty of other vehicle parts (factory or aftermarket) related or non-related to the install of McGaughy's component(s).
- Warranty is limited to the repair or replacement (of McGaughy's product only), at McGaughy's discretion. And only after inspection of the defective part, once returned to McGaughy's with proof of purchase, date of purchase, and all shipping costs prepaid.
- Any cost of labor, freight, incidental or consequential damages are expressly excluded from warranty.

1. Using wheel chocks, secure front wheels. Raise rear of vehicle and support frame with jack stands. Support the rear axle with hydraulic jack.
2. With the axle supported, remove the passenger side u-bolt nuts and lower u-bolt plate. (pic 1-2)
4. Install new provided lower u-bolt plate. Torque u-bolt nuts to factory specs. (pic 3)
5. Repeat this process on the driver side.
6. You can now drop the vehicle back on the ground. With the weight of the vehicle on the suspension, back the vehicle up and pull it forward again. This is to make sure the suspension is settled.



7. Now install provided bushings and sleeves in the traction bars.
8. Install backend of traction bar into the u-bolt mount using the provided hardware. **DO NOT TIGHTEN YET.** (pic 4-5)



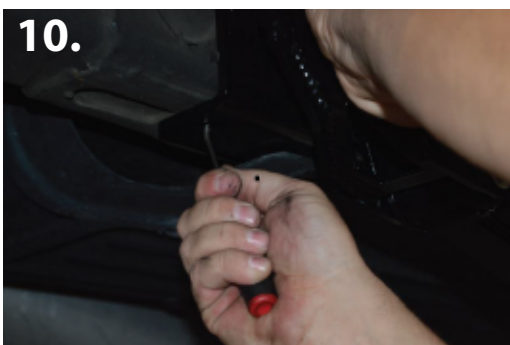
9. Assemble shackles and frame mount brackets with provided bump stops, bushings, and sleeves.

10. Install the shackle onto the frame mount bracket using the provided hardware. (pic 6)

11. Now install traction bar onto shackle using the provided hardware. (pic 7)



12. With the brackets fully assembled, lift the frame mount up and place against the bottom of the frame. Making sure there is no gap between the bump stop and the frame mount. (pic 8-9)



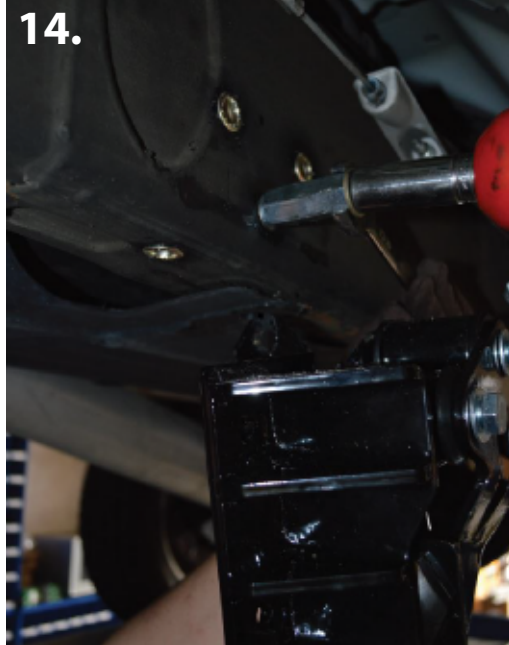
13. Mark the hole on bottom of frame. (pic 10)

14. Drill frame to 11/16". Make sure you are clear of any fuel lines or wiring. (pic 1)

15. Insert sinch nut into frame using a cinch tool. (pic 14)

16. Use provided 1/2"-13 x 1-1/4" bolt and mount to frame.





17. Use a center punch to correct mark the center of each hole. Drill each hole to 11/16". (pic 13)

18. Insert cinch nuts into frame using a cinch tool. (pic 14)

19. Use the provided 1/2"-13 x 1-1/4" bolts and mount to the frame. (pic 15)



20. Now fully assemble shackle and traction bar back onto the frame mount. (pic 16)

21. Be sure to check the entire vehicle to make sure nothing is rubbing. Check all tires, brake lines, hoses, sensors, wires, etc, for clearance. Tighten ALL hardware on traction bars at this time.

**AFTER 500 MILES, BE SURE TO GO OVER ALL PARTS AND RETORQUE ALL HARDWARE**